

THE WHEEL PULLDOWN FAUCET SPECS

Model # 5100



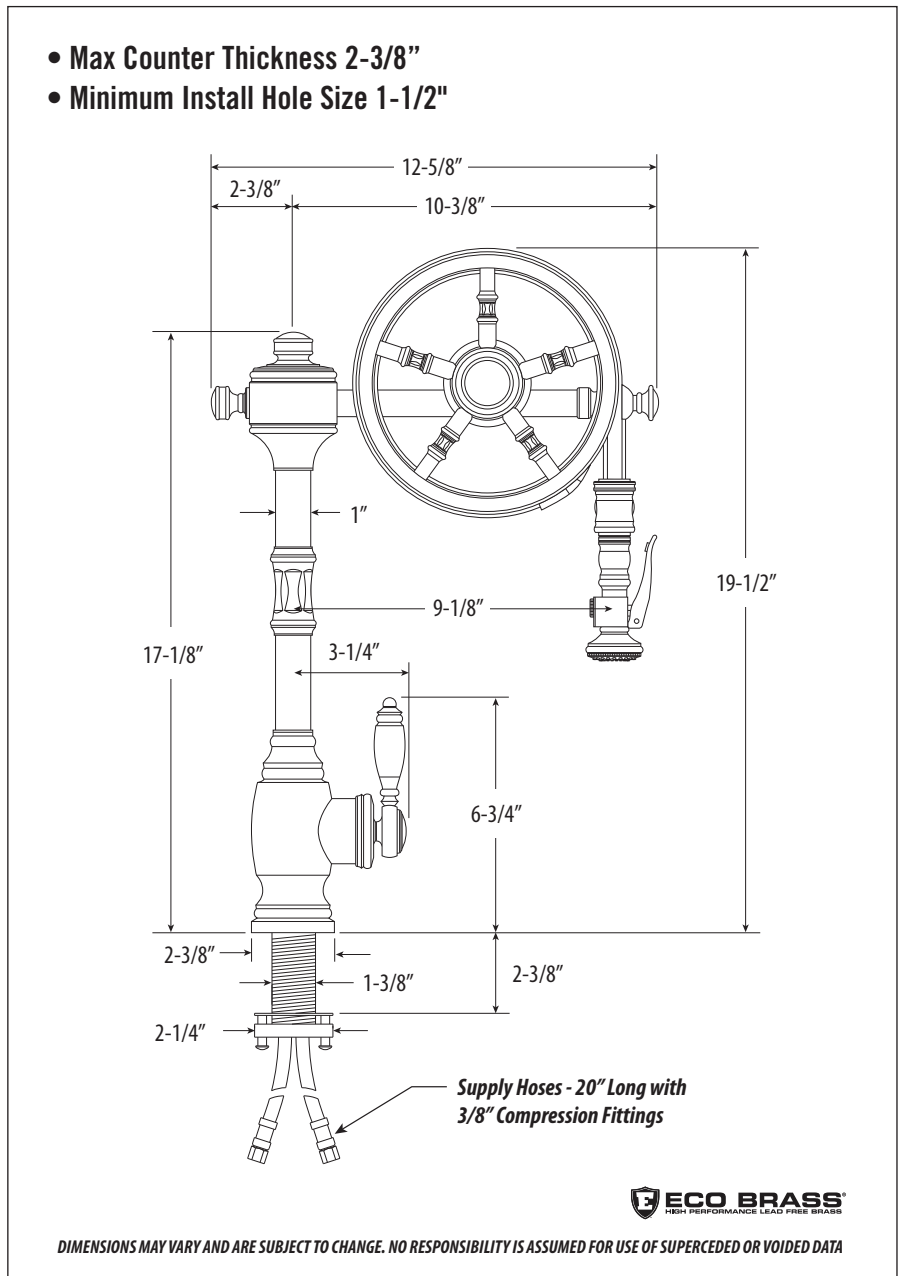
PRODUCT DESCRIPTION

- “Easy Pull” continuous force spring controls pull-down feel.
- Pulley braking system prevents handle snap back.
- Spray head extends **20”** from spout.
- Select lever spray or aerated stream.
- Spout swivels 360 degrees.
- Adjustable PTFE “Friction Lock” helps handle feel and prevents sag.
- Handle adjusts **22.5 degrees** in either direction for backsplash clearance.
- Single handle mounts in front, right or left hand positions.
- Hot/Cold ceramic disk valve cartridge.
- 1.75 gpm maximum flow rate when aerated stream is selected.
- Solid brass construction.
- Single lever control. Hot/Cold ceramic disk valve cartridge.
- Includes 3 handle button options. Finish match, ceramic Hot/Cold indicator and ceramic Cold/Hot indicator.
- Reinforced braided connection hoses.
- Lifetime Functional Warranty.
- Made in the USA.

CODES/STANDARDS APPLICABLE

Specified model meets or exceeds the following:

- **ASME A112.18.1**
- **CSA B125.1**
- **NSF 61, 372**
- **CALGreen**



AVAILABLE IN 29 FINISHES + SOLID STAINLESS STEEL

Antique Brass - AB
Antique Bronze - ABZ
Antique Copper - AC
American Bronze - AMB
Antique Pewter - AP
Gloss Black - GB
Black Nickel - BLN
Black-Oil Rubbed Bronze - ORB
Caribbean Bronze - CB
Chocolate Bronze - CHB

Chrome - CH
Distressed Antique Brass - DAB
Distressed Antique Copper - DAC
Distressed American Bronze - DAMB
Distressed Antique Pewter - DAP
Matte Black - MB
Polished Brass - PB
Polished Copper - PC
Polished Gold - PG
Polished Nickel - PN

Satin Chrome - SC
Satin Gold - SG
Satin Nickel - SN
Stainless Steel - SS*
Tuscan Brass - TB
Unlaquered Polished Brass - UPB
Venetian Bronze - VB
Weathered Brass - WB
Weathered Copper - WC