

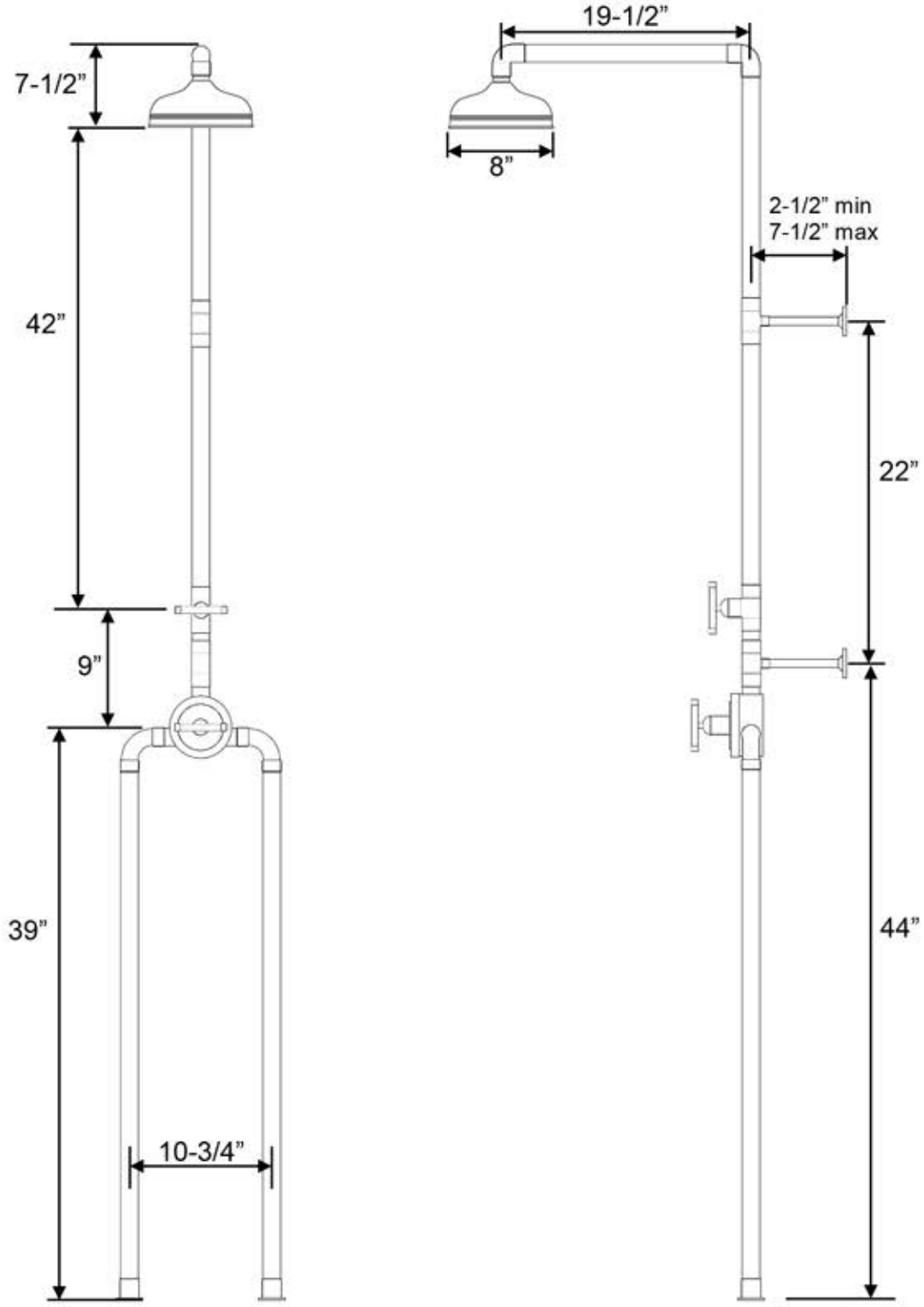


PRODUCT SPECIFICATIONS

Waterbridge Exposed Thermostatic Shower

WB-SHW-1140

Jun 2017



- ADA Compliant
- Custom dimensions and finishes available

Connection	3/4" NPS
GPM	2.0