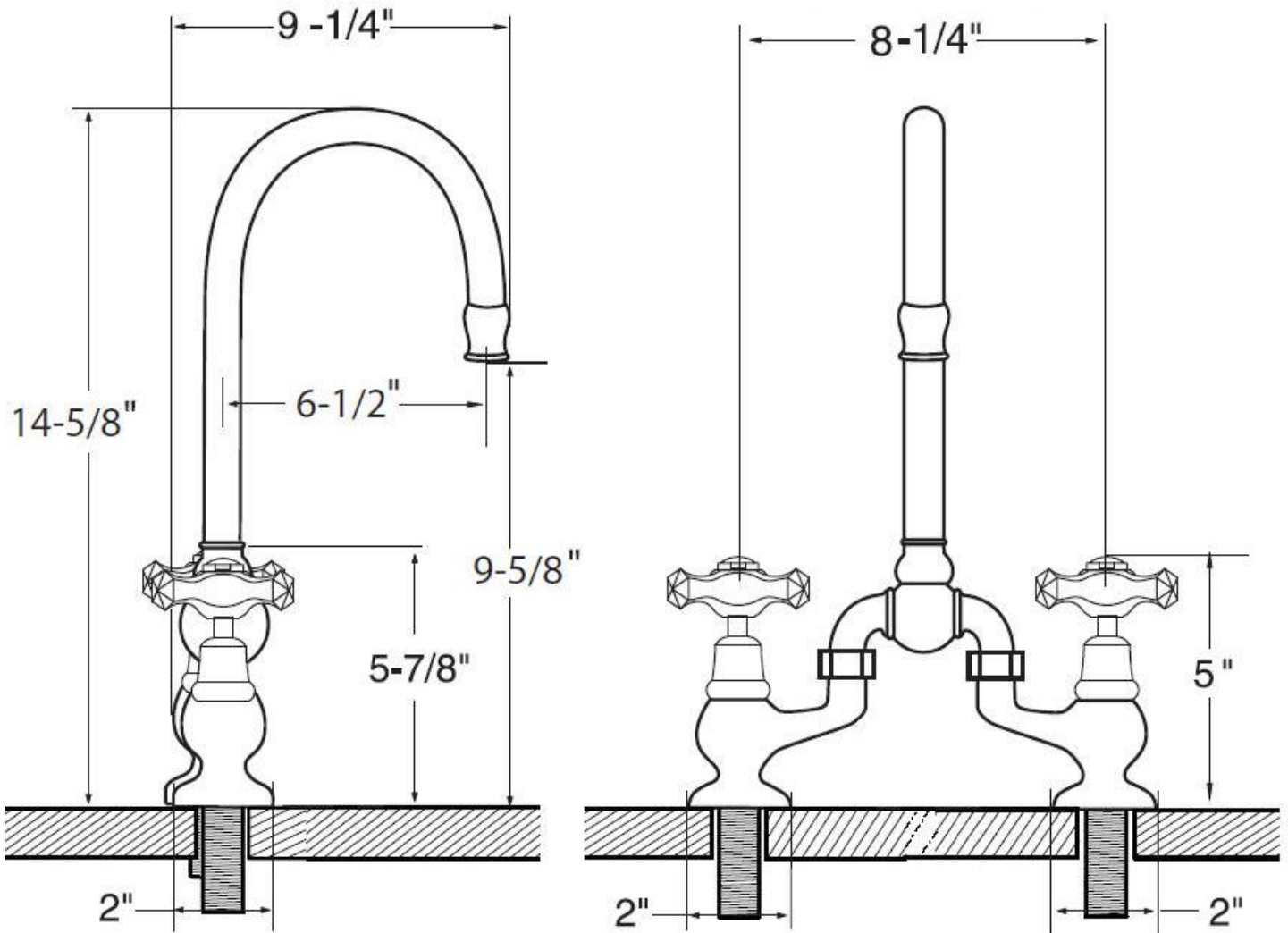




# PRODUCT SPECIFICATIONS

## Brownstone Faucet with Swiveling Spout BS-DM-SW

Jan 2014



- ADA Compliant
- Custom finishes available

Connection	1/2" Compression
Valve	1/2" Ceramic
GPM	1.5