



SPECIFICATIONS FOR CERAMIC LAVATORY FAUCETS

Model 284443

Description

- Single lever handle lead-free waterfall lavatory faucet
- Chrome-plated finish
- All brass construction with lead-free waterways
- Wear-resistant ceramic disc cartridge
- Suitable for single or three-hole sink installations
- Includes brass pop-up with color-matched trim
- Includes optional color-matched deck plate for three-hole installations
- 1/2" IPS connections

Performance

- EPA WaterSense labeled to provide 1.5 GPM at 60 PSI

Compliance

- Designed to comply with requirements of ASME A112.18.1
- Meets or exceeds CSA B125
- Meets lead-free requirements of NSF 372
- Meets lead-free requirements of California Health & Safety Code 116875
- Complies with toxicity requirements of NSF 61-9 and CA Proposition 65
- Complies with ADA (Americans with Disabilities Act)

Listings

- IAPMO (International Association of Plumbing & Mechanical Officials)
- cUPC (Uniform Plumbing Code & Canadian Uniform Plumbing Code)
- CSA-US (Canadian Standards Association-US)
- IAPMO Certified Lead-Free
- EPA WaterSense Approved

Warranty

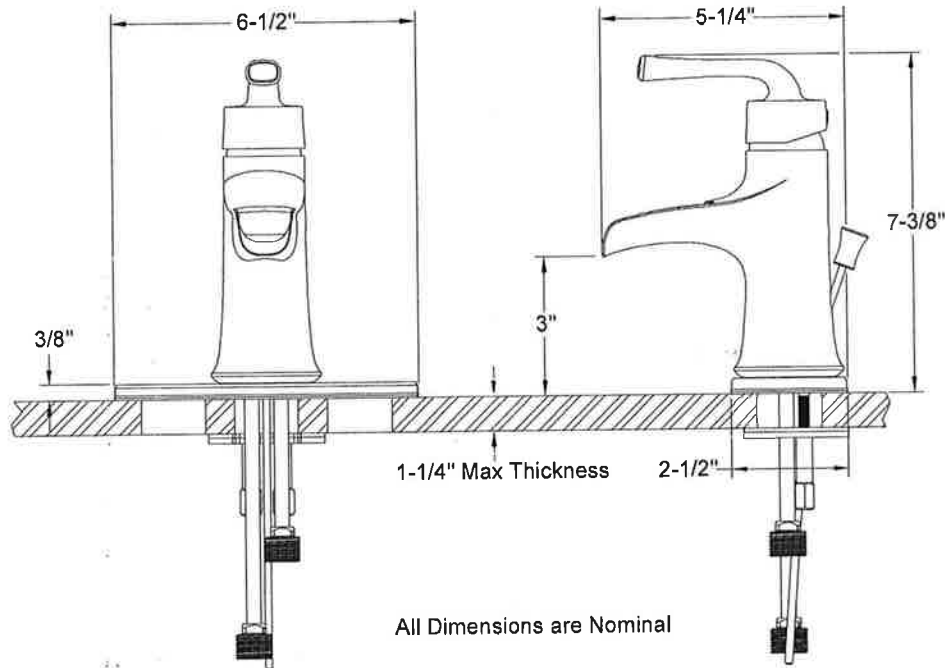
- Limited Lifetime Warranty
Refer to Premier Faucet warranty program for further details and restrictions.

Sanibel™



Model 284443

Single Lever Handle Lavatory Faucet
 Chrome-Plated Finish
 Includes Brass Pop-Up
 1/2" IPS Connections



For additional information, contact Premier Faucet at 866-745-4010 or visit our website at www.premierfaucet.com.



SPECIFICATIONS FOR CERAMIC LAVATORY FAUCETS

Model 284445

Description

- Single lever handle lead-free waterfall lavatory faucet
- PVD brushed nickel finish
- All brass construction with lead-free waterways
- Wear-resistant ceramic disc cartridge
- Suitable for single or three-hole sink installations
- Includes brass pop-up with color-matched trim
- Includes optional color-matched deck plate for three-hole installations
- 1/2" IPS connections

Performance

- EPA WaterSense labeled to provide 1.5 GPM at 60 PSI

Compliance

- Designed to comply with requirements of ASME A112.18.1
- Meets or exceeds CSA B125
- Meets lead-free requirements of NSF 372
- Meets lead-free requirements of California Health & Safety Code 116875
- Complies with toxicity requirements of NSF 61-9 and CA Proposition 65
- Complies with ADA (Americans with Disabilities Act)

Listings

- IAPMO (International Association of Plumbing & Mechanical Officials)
- cUPC (Uniform Plumbing Code & Canadian Uniform Plumbing Code)
- CSA-US (Canadian Standards Association-US)
- IAPMO Certified Lead-Free
- EPA WaterSense Approved

Warranty

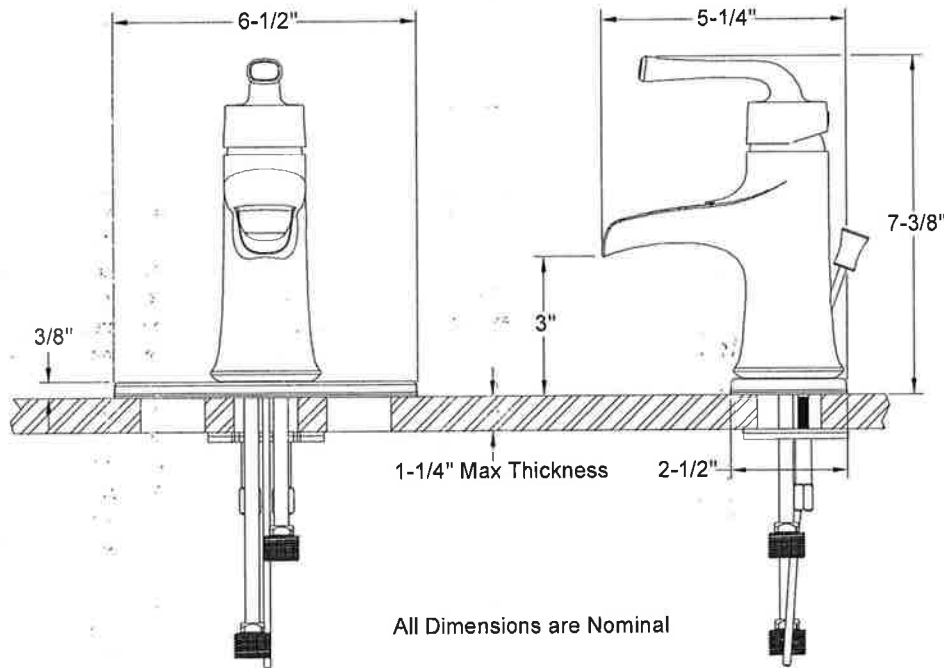
- Limited Lifetime Warranty
Refer to Premier Faucet warranty program for further details and restrictions.

Sanibel™



Model 284445

Single Lever Handle Lavatory Faucet
PVD Brushed Nickel Finish
Includes Brass Pop-Up
1/2" IPS Connections



For additional information, contact Premier Faucet at 866-745-4010 or visit our website at www.premierfaucet.com.



SPECIFICATIONS FOR CERAMIC LAVATORY FAUCETS

Model 284446

Description

- Single lever handle lead-free waterfall lavatory faucet
- Parisian bronze finish
- All brass construction with lead-free waterways
- Wear-resistant ceramic disc cartridge
- Suitable for single or three-hole sink installations
- Includes brass pop-up with color-matched trim
- Includes optional color-matched deck plate for three-hole installations
- 1/2" IPS connections

Performance

- EPA WaterSense labeled to provide 1.5 GPM at 60 PSI

Compliance

- Designed to comply with requirements of ASME A112.18.1
- Meets or exceeds CSA B125
- Meets lead-free requirements of NSF 372
- Meets lead-free requirements of California Health & Safety Code 116875
- Complies with toxicity requirements of NSF 61-9 and CA Proposition 65
- Complies with ADA (Americans with Disabilities Act)

Listings

- IAPMO (International Association of Plumbing & Mechanical Officials)
- cUPC (Uniform Plumbing Code & Canadian Uniform Plumbing Code)
- CSA-US (Canadian Standards Association-US)
- IAPMO: Certified Lead-Free
- EPA WaterSense Approved

Warranty

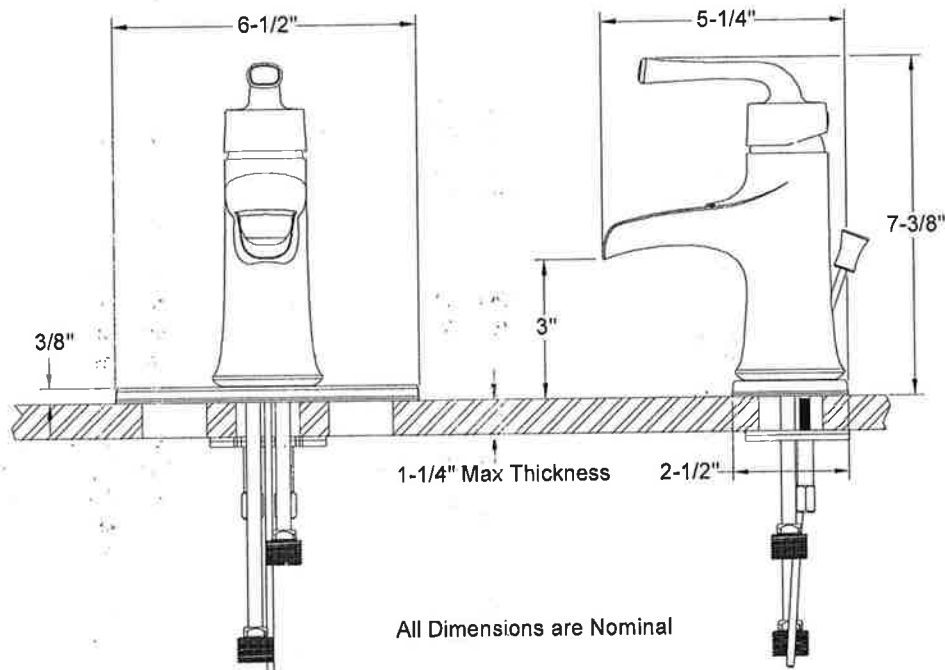
- Limited Lifetime Warranty
Refer to Premier Faucet warranty program for further details and restrictions.

Sanibel™



Model 284446

Single Lever Handle Lavatory Faucet
Parisian Bronze Finish
Includes Brass Pop-Up
1/2" IPS Connections



For additional information, contact Premier Faucet at 866-745-4010 or visit our website at www.premierfaucet.com.