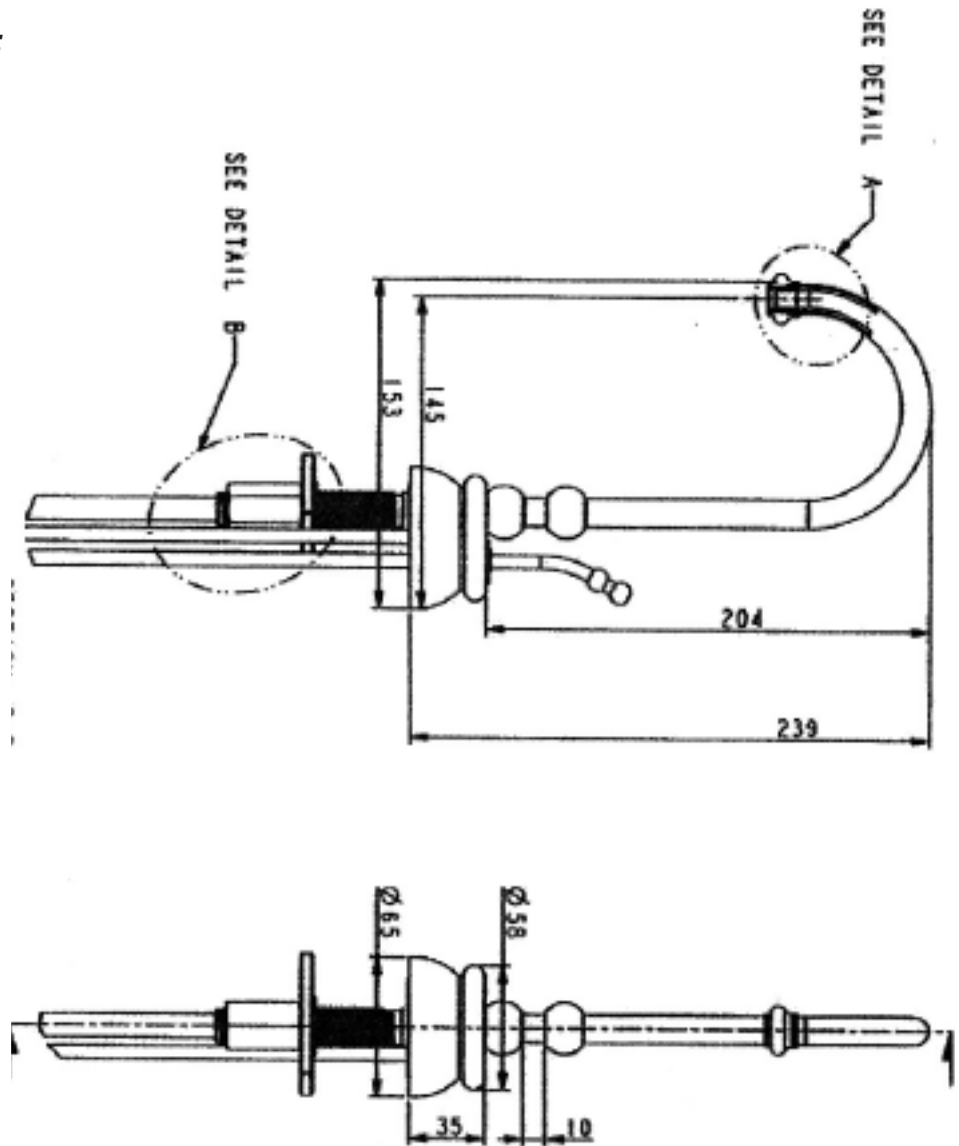


MT540 "Little Gourmet" Instant Hot Water Dispenser

INSTALLATION DIMENSIONS

This model offers you the following features & benefits:

- "Little Gourmet" faucets for use with MT641 heating tank.
- Available in a variety of finishes.
- IAPMO listed complies with ASME A112.18, 1-2000 ANSI/NSF 61-2002
- 4" Mounting shank will install on thicker counter-tops
- 1-3/8" mounting hole
- Cannot be used with Reverse-Osmosis filtration systems..
- Instant hot 190° water.



Specifications subject to change without notice.