

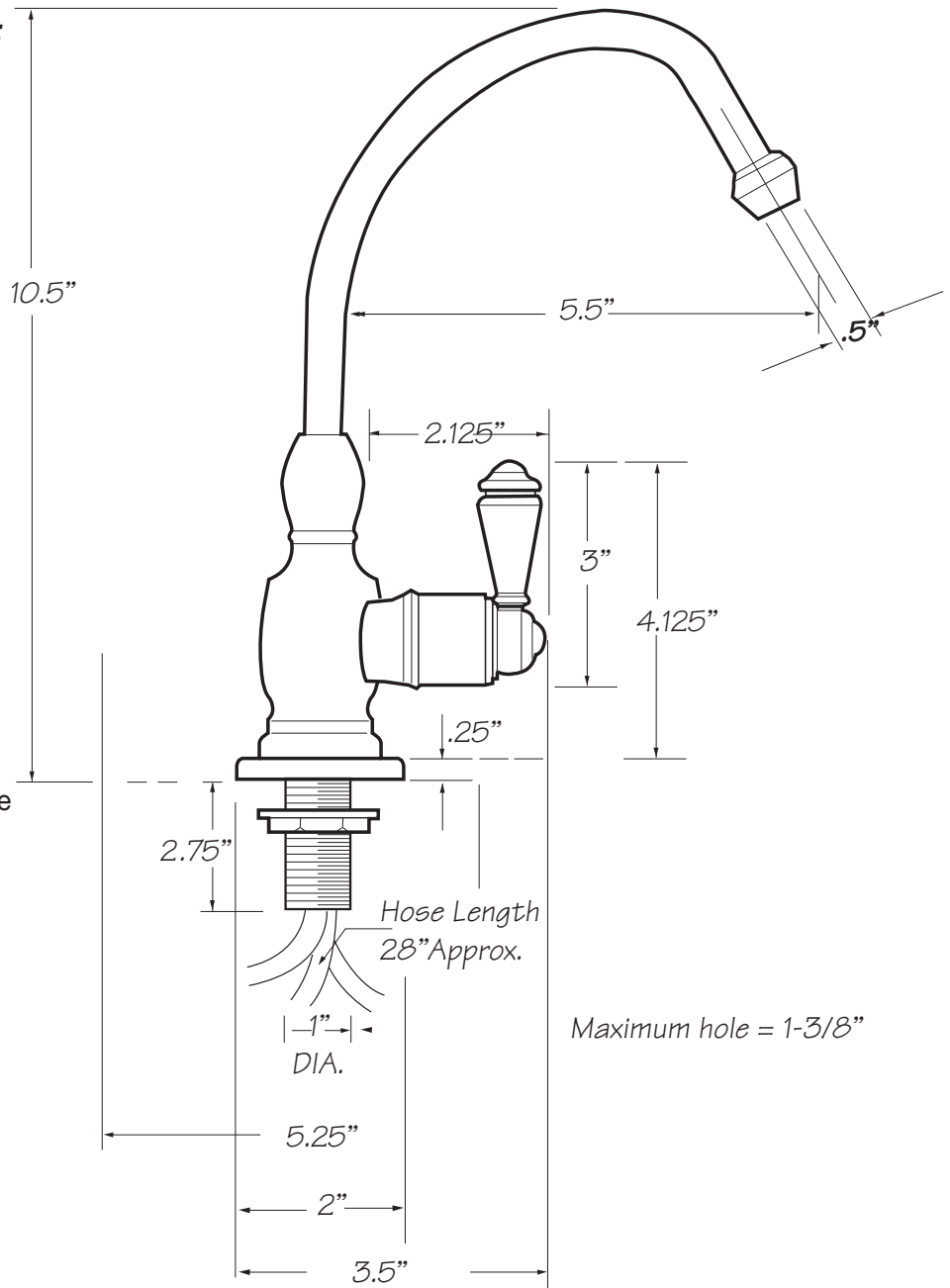
This model offers you the following features & benefits:

- All brass body
- Insulated spout for safety
- Self closing spring-loaded hot valve to protect from accidental burns to your family
- Traditional styling
- Available in 11 finishes
 - CPB - Polished Chrome
 - PN - Polished Nickel
 - BRN - Brushed Nickel
 - PEW - Pewter
 - PVD - PVD Brass
 - WB - Weathered Brass
 - WCP - Weathered Copper
 - ACP - Antique Copper
 - ORB - Oil Rubbed Bronze
 - PVDBB - PVD Brushed Bronze
 - TB - Tuscan Brass
- To be used with a Mountain Heating Tank only

Lifetime warranty on ceramic cartridge.

Five year warranty on plated finish.

Complies with NSF Standards



Specifications subject to change without notice.