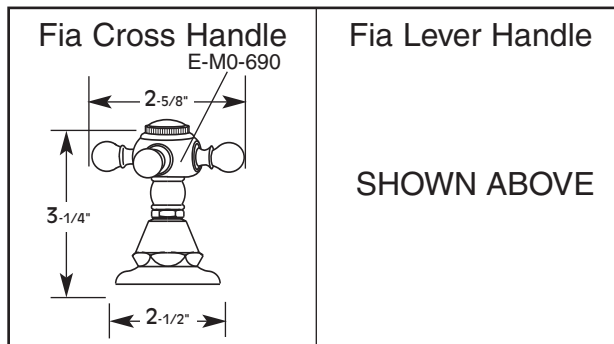
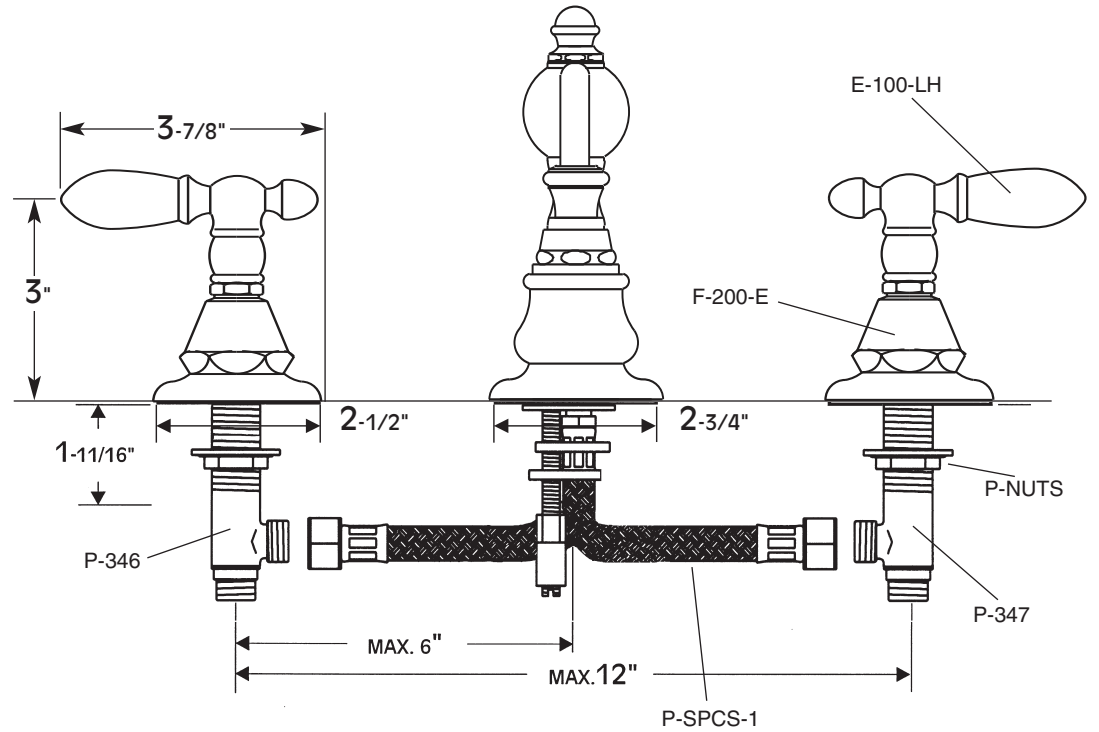
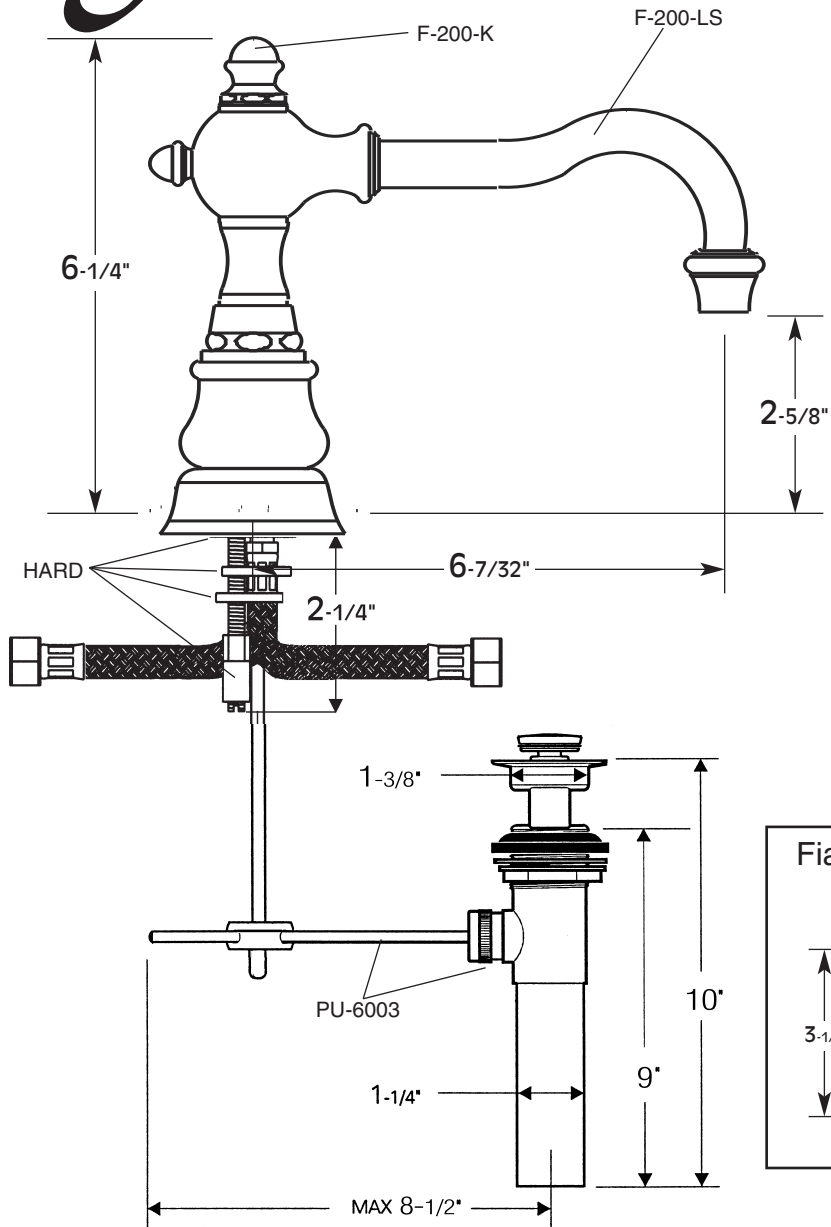


FIA F-100 SERIES




JUSTYNA
 COLLECTIONS

1432 W. 21st Street • Chicago, IL 60608
 Toll Free 866.273.1414 • Phone 312.327.1616
 Fax 312.327.1818 • www.justyna-collections.com

F-100 SERIES

Thank you for purchasing a product from



We have taken care to produce a product that will provide many years of trouble-free use and beauty.

Call Toll Free: **1-866-273-1414** if you have any questions about the installation of your product.

We can help!

1. Familiarize yourself with all of the parts before installation.
2. Remove mounting hardware from the spout.
3. Attach the stainless steel connectors to the spout. Tighten. Position the spout through the center hole with the black gasket between the spout and the top of the countertop.
4. From the underside attach the black gasket, and then the mounting plate. Properly position spout. Tighten with the hex nut.
5. Place the hot water valve through the underside of the countertop.
6. Attach the base flange. Put on handle for viewing. Adjust the lower locknut.
7. Repeat for cold water side.
8. Attach stainless steel connectors from spout to valve bodies. Tighten.
9. Place pop-up rod through the spout.
10. Connect pop-up assembly.
11. Check for leaks.

Maintenance and Care: Clean with water and a soft cloth. Never use cleansers. Never use any abrasives.